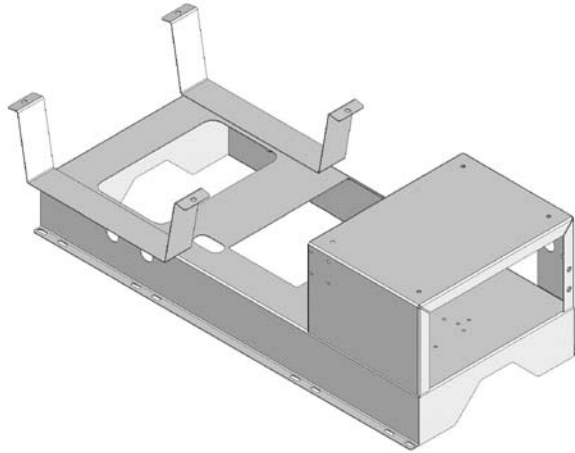


Frames

Sprayer bases

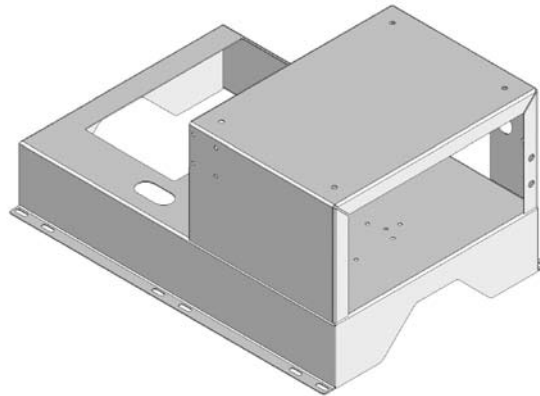
PN	Description
40133	Sprayer base, 5" height, white, with 30 or 50 gal. PCO tank brackets and battery box holder

Top tank straps included but not shown.



Length: 46.5 in.
Width: 21 in.
Height: 14 in.
Weight: 45 lbs.

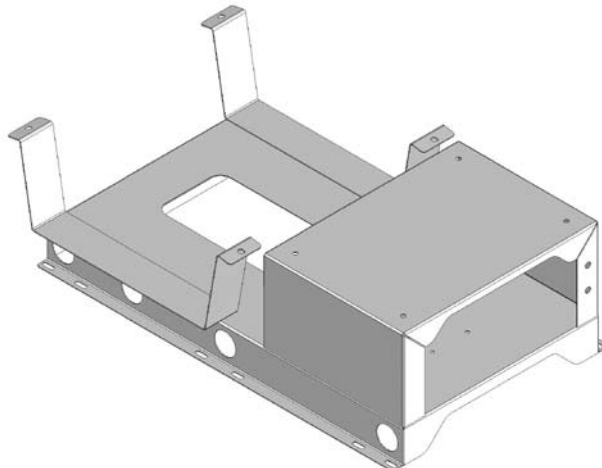
PN	Description
40132	Sprayer base, 5" height, white, battery box holder



Length: 28 in.
Width: 20 in.
Height: 14 in.
Weight: 29 lbs.

PN	Description
40123	Sprayer base, 3" height, white, with 30 gal. PCO tank brackets

Top tank straps included but not shown.



Length: 35 in.
Width: 21 in.
Height: 10.5 in.
Weight: 30 lbs.